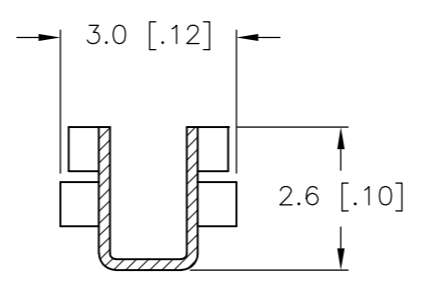
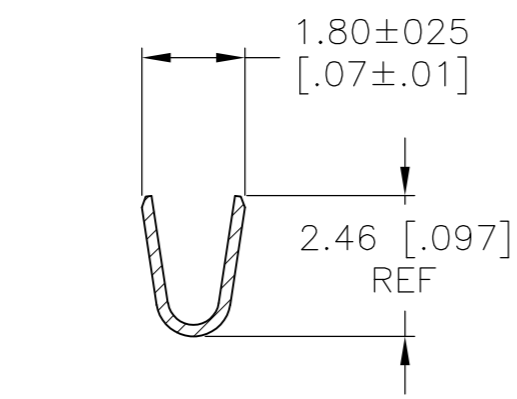
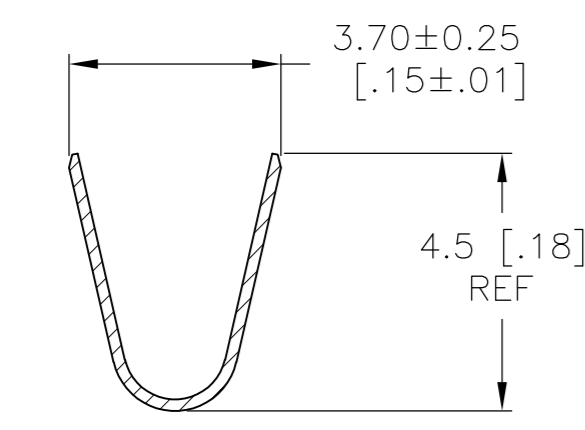
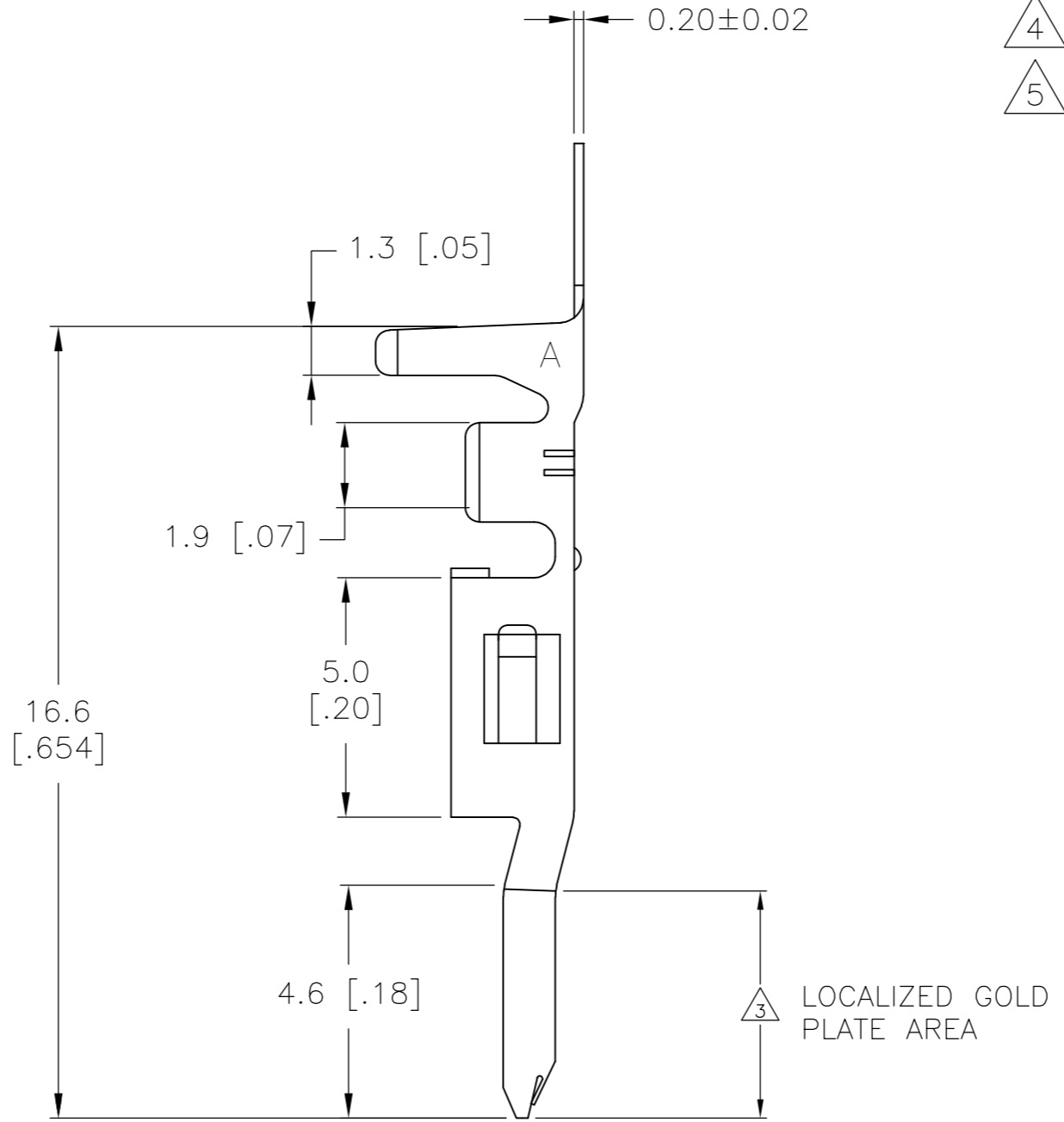
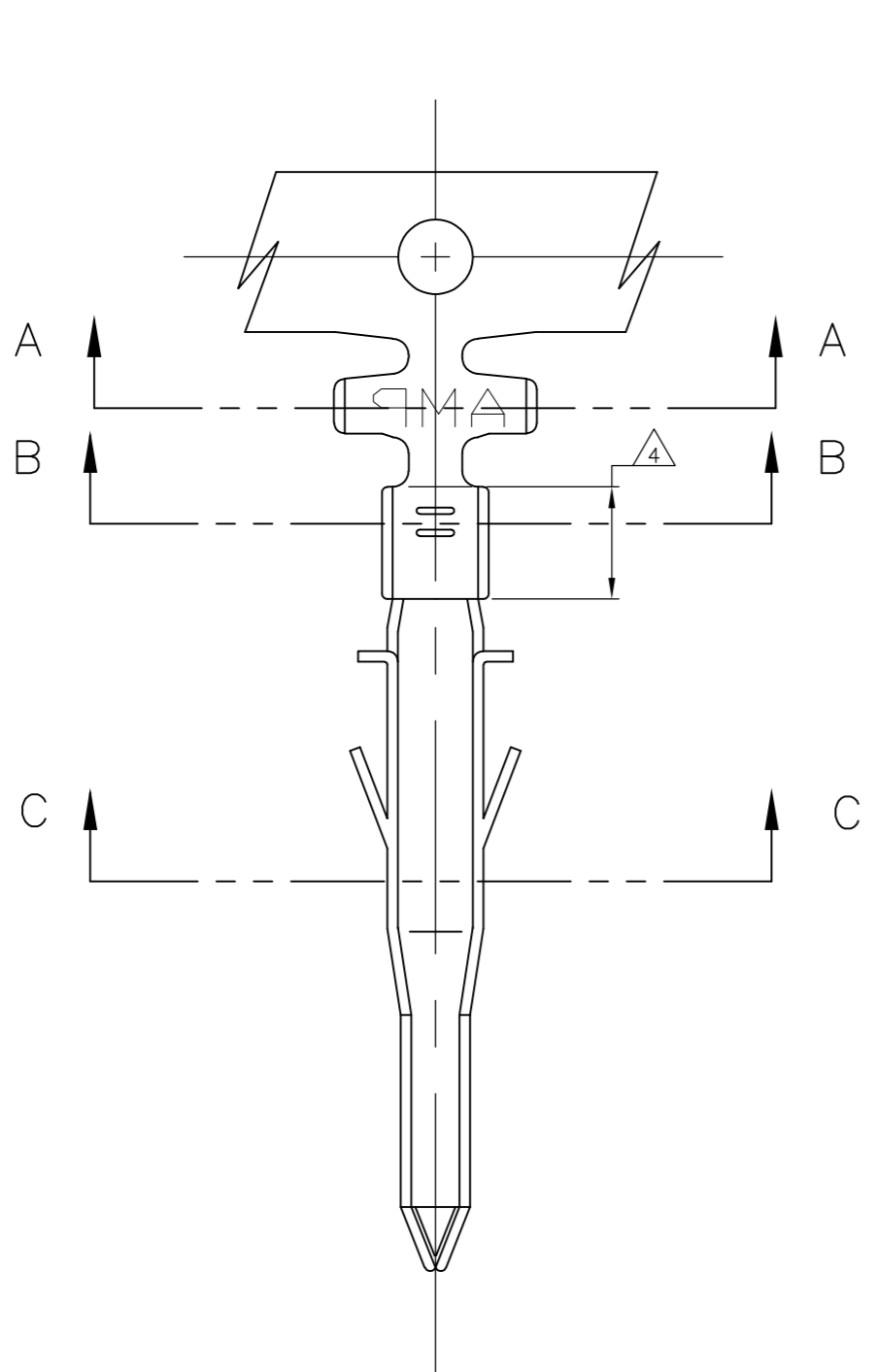


THIS DRAWING IS UNPUBLISHED. RELEASED FOR PUBLICATION
 © COPYRIGHT - By - ALL RIGHTS RESERVED.

LOC	DIST	REVISIONS					
CM	00	P	LTR	DESCRIPTION	DATE	DWN	APVD
		H4		REVISED PER ECR-16-000306	12JAN2016	NK	DC

- 1 WIRE RANGE: 0.3-0.82mm² (22-18 AWG)
- 2 INSULATION RANGE: 1.50 - 3.10 DIA.
- 3 FINISH: 0.76μm MINIMUM GOLD IN LOCALIZED GOLD PLATE AREA OVER 1.27μm MINIMUM NICKEL.
- 4 FINISH: 2.54μm MINIMUM PRE-TIN IN LOCALIZED TIN PLATE AREA.
- 5 FINISH: 2.54μm MINIMUM PRE-TIN ALL OVER.



SECTION A-A

SECTION B-B

SECTION C-C

GOLD 3 4	PHOS. BRZ.	794955-4
PRE-TIN 5	PHOS. BRZ.	794955-3
GOLD 3 4	BRASS	794955-2
PRE-TIN 5	BRASS	794955-1
FINISH	MATERIAL	PART NO.

THIS DRAWING IS A CONTROLLED DOCUMENT.		DWN S. HAMM 07-SEP-2001		
DIMENSIONS: mm [INCHES]		CHK D. COLEY 07-SEP-2001		
TOLERANCES UNLESS OTHERWISE SPECIFIED:		APVD D. COLEY 07-SEP-2001	NAME	
0 PLC ±		PRODUCT SPEC	TERMINAL PIN	
1 PLC ± 0.25 [.010]		APPLICATION SPEC	VAL-U-LOK(TM)	
2 PLC ± 0.15 [.006]		114-13172	SIZE	CAGE CODE
3 PLC ±		WEIGHT	A2	00779
4 PLC ±		CUSTOMER DRAWING	SCALE	DRAWING NO
FINISH		SCALE 10:1	SHEET	RESTRICTED TO
		10:1	1 OF 1	REV H4